

BetterBook™ Solutions

*Perfect binding adhesive systems for books that lie flatter,
last longer and look better.*

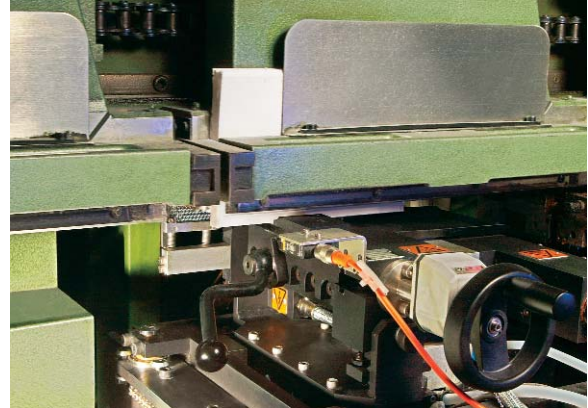


Flexible adhesive application and verification systems help improve spine and side gluing.

Nordson® BetterBook binding solutions provide you with the best adhesive systems to produce consistent, high-quality perfect bound books. With more than 40 years of adhesive application experience, Nordson has a full range of products to meet your specific paper stock and adhesive bonding requirements for spine and side gluing applications.

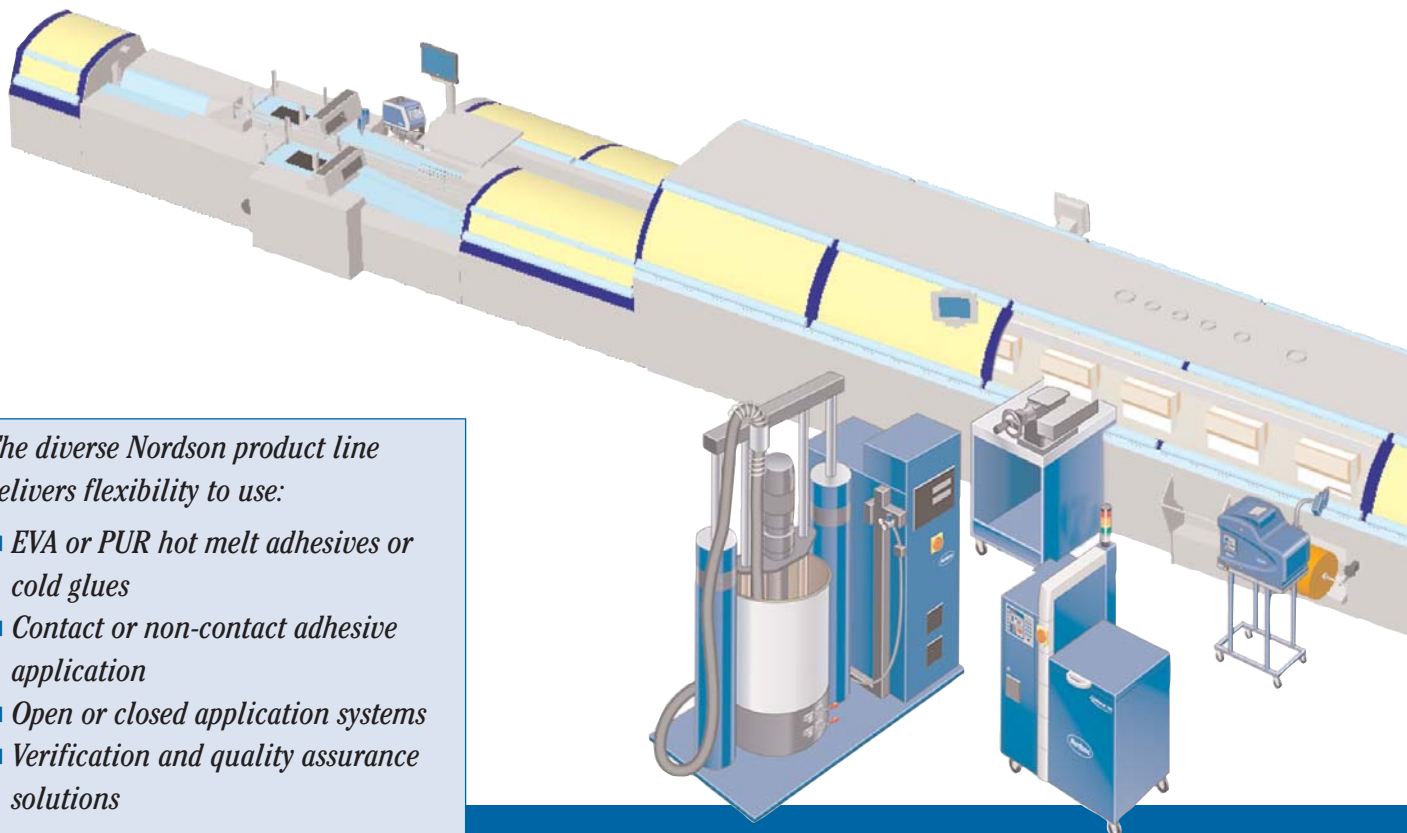
Nordson bookbinding systems:

- **Provide consistent, reliable performance** with precise dispensing and clean cutoff.
- **Increase productivity** by reducing cleanup and shortening startup/shutdown times.
- **Deliver production flexibility** by being easily adjusted for changeovers and integrating into existing production lines.
- **Help lower production costs** by reducing waste and adhesive usage.



Spine Gluing

Nordson specializes in the use of polyurethane (PUR) adhesives for spine gluing applications. With systems to both dispense and verify adhesive patterns, Nordson helps you achieve a thinner, more consistent adhesive bond even on difficult to bond cross-grain, aqueous or UV-coated papers.



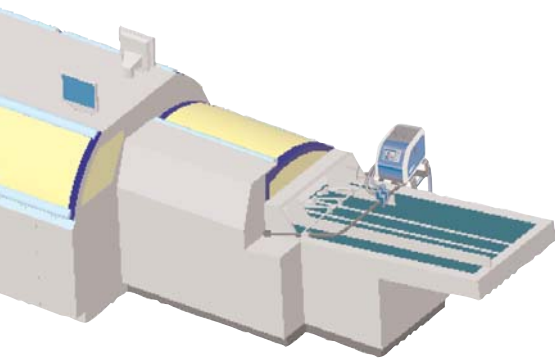
The diverse Nordson product line delivers flexibility to use:

- *EVA or PUR hot melt adhesives or cold glues*
- *Contact or non-contact adhesive application*
- *Open or closed application systems*
- *Verification and quality assurance solutions*



Nordson slot nozzle technology delivers precision application using positive pressure and clean cutoff for consistent, reproducible spine coating thickness. The closed system helps reduce the daily cleanup, decrease the adhesive waste and shorten the startup/shutdown times associated with traditional open pot systems.

Nordson's integrated LogiComm® system delivers precise pattern control, quality verification or both to the bookbinding industry. The easy-to-program touch screen system can simultaneously detect and verify numerous parameters including volume and accuracy of adhesive deposition. This combination pattern control and verification system includes production reporting and closed loop compensation features.



Side Gluing

A broad range of Nordson dispensing guns and nozzles delivers precise adhesive placement and uniform bead size to side gluing applications. Dispensing gun choices provide flexibility to use a wide variety of adhesives including ethylene vinyl acetates (EVA), pressure sensitive adhesives (PSA) and PUR hot melt adhesives. Pneumatic adhesive guns deliver clean cutoff, improved performance and superior aesthetics.

Nordson has contact or non-contact side gluing systems for adhesive application directly onto the book block or onto cover feed. Easy-adjust bracketry provides adjustment for accurate adhesive placement and quick changeovers.

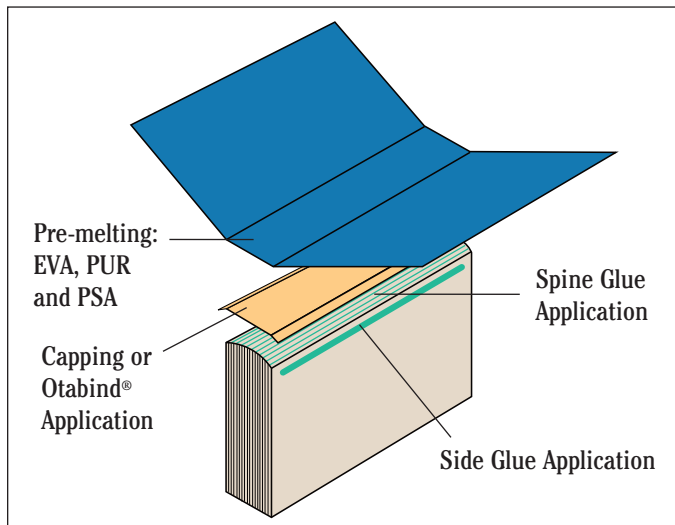


Tank melters for side gluing are compact and simple to operate. Heated zones monitor temperature for viscosity consistency and dispensing control.

A wide range of bulk melters and premelters accommodate various adhesive requirements. Nordson melters utilize melt technologies that help protect adhesive integrity and optimize dispensing and bonding. Precision temperature controls and sensors maintain constant temperature for consistent viscosity and application control.



Bookbinding Applications



Tipping

Flexible Nordson systems provide permanent and removable attachments for publications. Adhesive dispensing guns deliver clean cutoff and precise placement to improve appearance and reduce rejects. With modular designs and compact size, these application systems install easily for in-line or off-line tipping.

Features and Benefits

- **Improve book quality** with consistent adhesive application and reliable detection systems.
- **Increase production flexibility** with easily-adjustable equipment for changes in spine width and/or adhesive thickness.
- **Use less adhesive** by reducing adhesive thickness and waste while increasing application consistency.
- **Reduce adhesive contamination and cleanup** with closed adhesive systems.

The Nordson bookbinding product offering includes premelters, melters, dispensing guns, application heads, detection systems and UV-curing systems. These specialized products can be combined to create a bookbinding adhesive and/or curing system that meets your production needs while delivering the best performance.

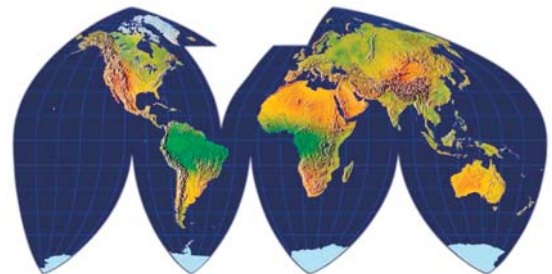


PUREcure™ System for In-line Casing-in UV-cured Polyurethane Application

- Ultra high-powered lamphead is water cooled for easy machine integration.
- High intensity UV output for excellent penetration of the thick PUR layer.
- Dichroic reflectors reflect useful UV energy while absorbing harmful infrared energy.
- Unique no-ozone system eliminates need for costly air extraction system.

Worldwide Service and Support

Locally-available, worldwide sales, service and application engineering teams support your perfect binding adhesive application and detection systems before, during and after the sale.



®Otabind is a registered trademark of Kustannusosakeyhtio Otava.

For more information, talk with your Nordson representative or contact your Nordson regional office.

United States

Duluth, Georgia
Telephone: (800) 683-2314
Toll-free Facsimile:
(866) 667-3329

Canada

Markham, Ontario
Telephone: (800) 463-3200
Facsimile: (905) 475-8821

Europe

Udenhout, The Netherlands
Telephone: (31) 13-511-8777
Facsimile: (31) 13-511-3995

Japan

Tokyo, Japan
Telephone: (81) 3-5762-2700
Facsimile: (81) 3-5762-2701

Asia/Australia/ Latin America

Amherst, Ohio
Telephone: (440) 985-4797
Facsimile: (440) 985-1096

www.nordson.com/betterbook



When you expect more.®